

FOCUS

code 6163.Z.AC

Recessed flangeless luminaire.

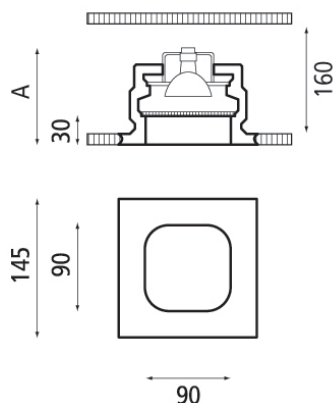
Ceiling mounting. Installation into plasterboard or brick.

(see the special instructions for brick).

Body in AirCoral®.

Delivered complete with supported glass in satin white

Frosted glass recessed 30 mm into the ceiling.



TECHNICAL FEATURES

Type	Downlight 90°
Material	AC: AirCoral®
Absorption capacity*	4.05 m ²
Weight	1.8 Kg
Mounting	Ceiling recessed
IP rating	IP40
Control gear	Constant current electronic driver
Dimensions	A: 140 mm
Cut out for plasterboard	155 x 155 mm
Lamp type	LED 500 mA
Lamp wattage	1x10W ·
Luminous efficacy	105 lm/W · 3000K
Light distribution	Wide beam 40°
Fitting	-
Light Colour	White 3000K
Light Colour	White 2700K (on request)
Light Hole	90 x 90 mm
Voltage connection	220-240V · 50-60Hz
CRI	>80 (>90 on request)
Emergency	-
Energy efficiency class	A++

OPTIONAL

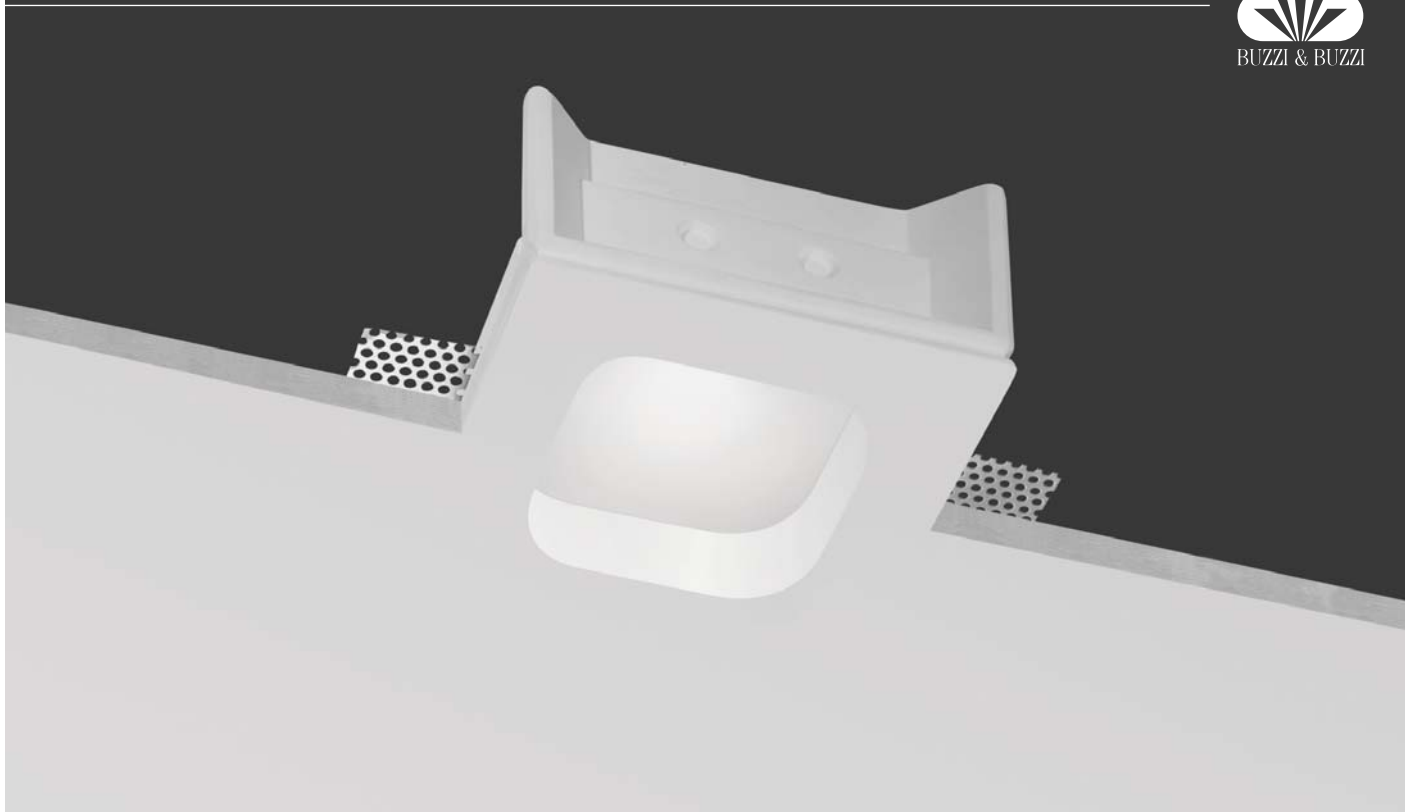
H8500.A	Constant current electronic driver suitable for n°2 code 6163.Z.AC - 500 mA
H8500.B	Constant current electronic driver suitable for n°1 code 6163.Z.AC - 500 mA
BR6163LT	Brick box
Available dimmable	PUSH or DALI



FOR FURTHER INFORMATION PLEASE CONSULT THE GENERAL CATALOGUE BUZZI & BUZZI

*The absorption capacity per m³ calculated by the American organization TCNA is parametrized for an average room of 2,7m in height and therefore expressed in m²

Buzzi & Buzzi reserves itself the faculty to change or to modify, without advance notice, the dimensions and the technical characteristics of the products indicated in this catalogue, due to operative necessities to improve the functionality or updating with law regulations.



FOCUS

code 6169.Z.AC

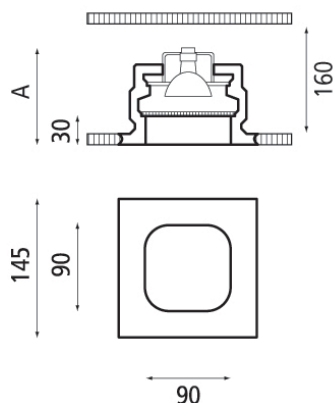
Recessed flangeless luminaire.

Ceiling mounting. Installation into plasterboard or brick.
(see the special instructions for brick).

Body in AirCoral®.

Delivered complete with supported glass in satin white

Frosted glass recessed 30 mm into the ceiling.



TECHNICAL FEATURES

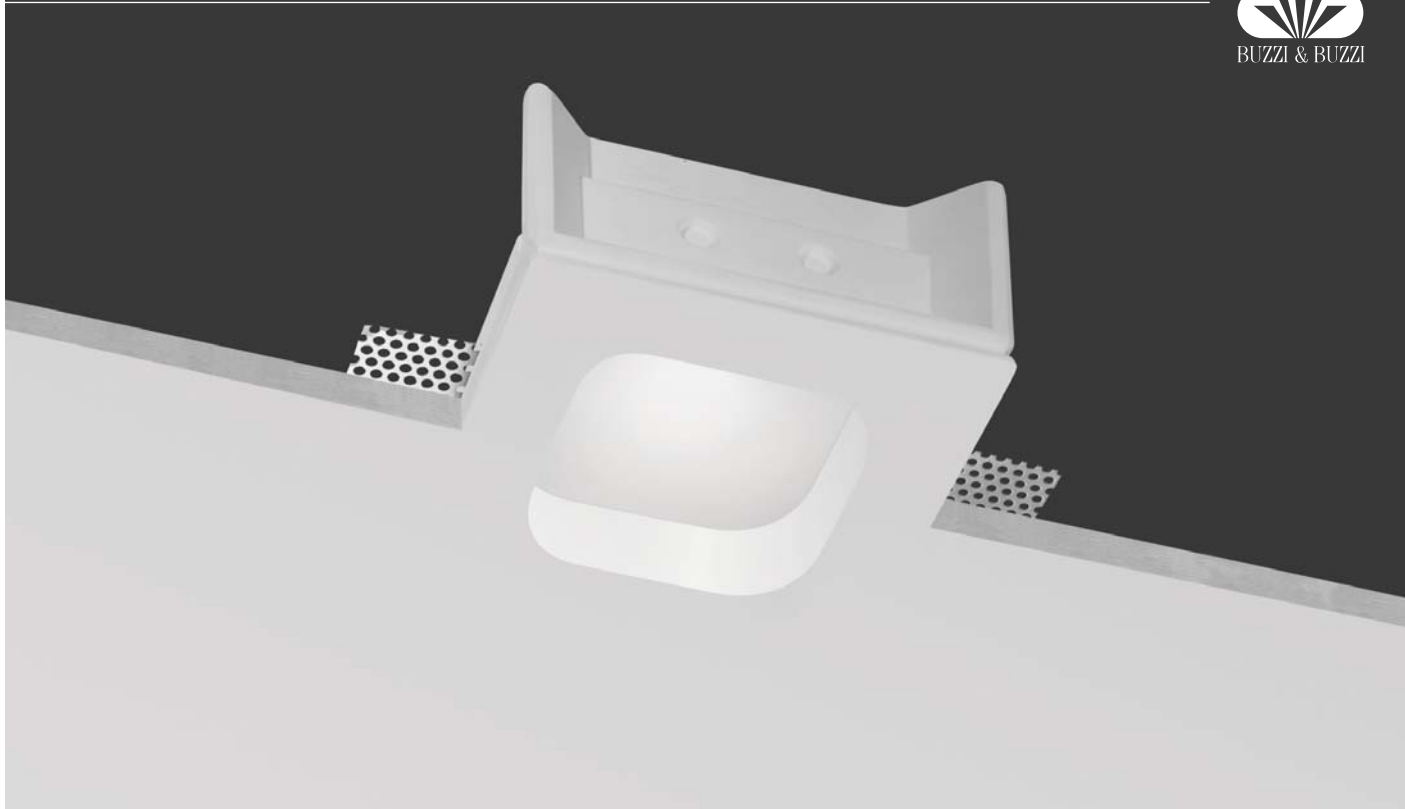
Type	Downlight 90°
Material	AC: AirCoral®
Absorption capacity*	4.05 m ²
Weight	2.3 Kg
Mounting	Ceiling recessed
IP rating	IP40
Control gear	Constant current electronic driver
Dimensions	A: 140 mm
Cut out for plasterboard	155 x 155 mm
Lamp type	LED 500 mA
Lamp wattage	1x10W ·
Luminous efficacy	105 lm/W · 3000K
Light distribution	Wide beam 40°
Fitting	-
Light Colour	White 3000K
Light Colour	White 2700K (on request)
Light Hole	90 x 90 mm
Voltage connection	220-240V · 50-60Hz
CRI	>80 (>90 on request)
Emergency	1 hour
Energy efficiency class	A++



FOR FURTHER INFORMATION PLEASE CONSULT THE GENERAL CATALOGUE BUZZI & BUZZI

*The absorption capacity per m³ calculated by the American organization TCNA is parametrized for an average room of 2,7m in height and therefore expressed in m²

Buzzi & Buzzi reserves itself the faculty to change or to modify, without advance notice, the dimensions and the technical characteristics of the products indicated in this catalogue, due to operative necessities to improve the functionality or updating with law regulations.



FOCUS

code 6161.AC

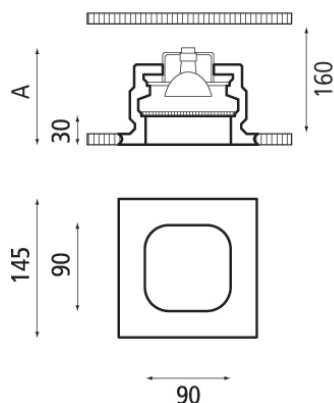
Recessed flangeless luminaire.

Ceiling mounting. Installation into plasterboard or brick.
(see the special instructions for brick).

Body in AirCoral®.

Delivered complete with supported glass in satin white

Frosted glass recessed 30 mm into the ceiling.



TECHNICAL FEATURES

Type	Downlight 90°
Material	AC: AirCoral®
Absorption capacity*	4.05 m ²
Weight	1.7 Kg
Mounting	Ceiling recessed
IP rating	IP40
Control gear	Electronic transformer
Dimensions	A: 120 mm
Cut out for plasterboard	155 x 155 mm
Lamp type	QR CB 51
Lamp wattage	50W max ·
Luminous efficacy	-
Light distribution	-
Fitting	GU5.3
Light Colour	-
Light Hole	90 x 90 mm
Voltage connection	220-240V / 12V · 50-60Hz
CRI	-
Emergency	-
Energy efficiency class	A

OPTIONAL

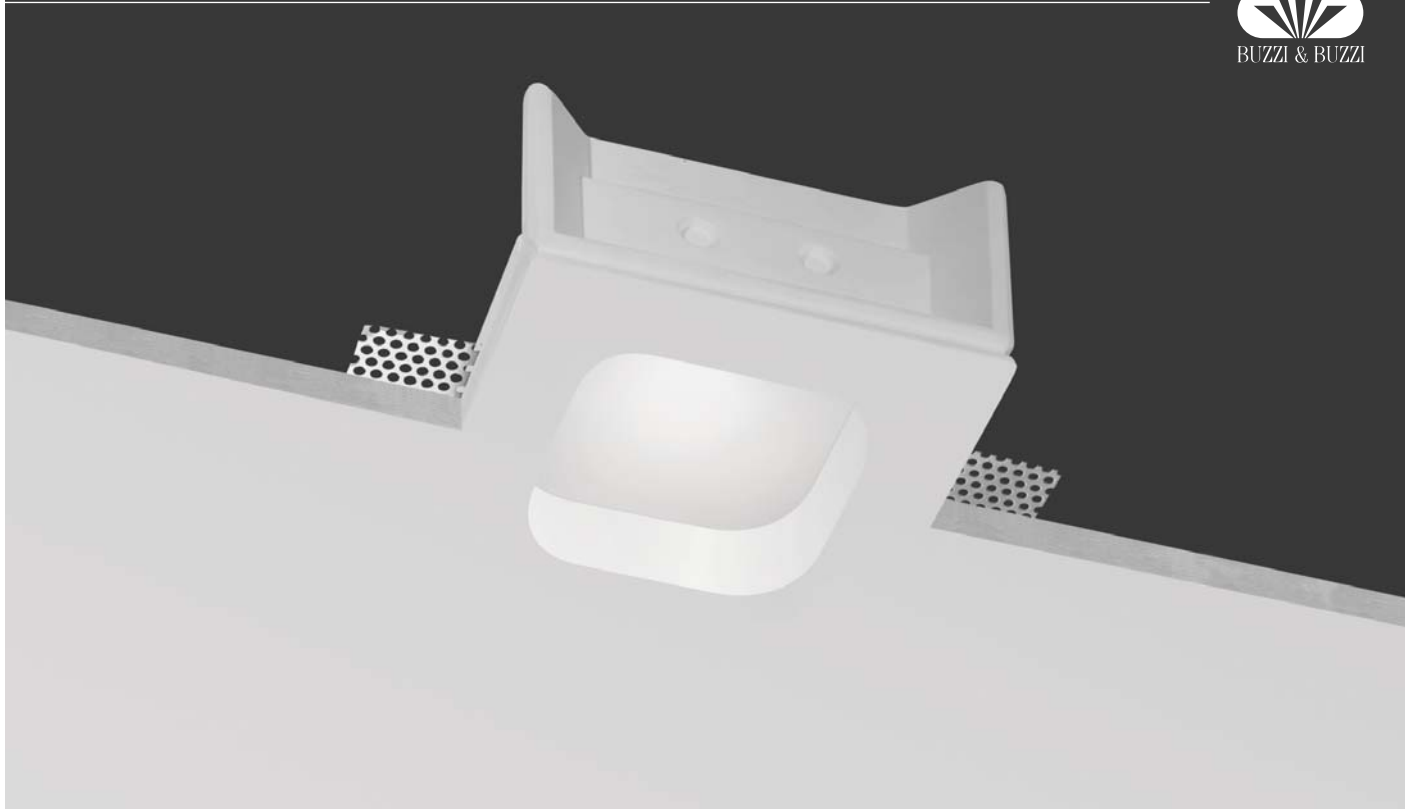
H8060	Dimmable electronic transformer
0008KIT	kit LED dimmable I bulb 7W - 12V
BR6161LT	Brick box



FOR FURTHER INFORMATION PLEASE CONSULT THE GENERAL CATALOGUE BUZZI & BUZZI

*The absorption capacity per m³ calculated by the American organization TCNA is parametrized for an average room of 2,7m in height and therefore expressed in m²

Buzzi & Buzzi reserves itself the faculty to change or to modify, without advance notice, the dimensions and the technical characteristics of the products indicated in this catalogue, due to operative necessities to improve the functionality or updating with law regulations.



FOCUS

code 6162.AC

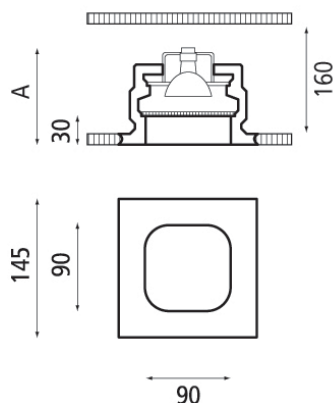
Recessed flangeless luminaire.

Ceiling mounting. Installation into plasterboard or brick.
(see the special instructions for brick).

Body in AirCoral®.

Delivered complete with supported glass in satin white

Frosted glass recessed 30 mm into the ceiling.



TECHNICAL FEATURES

Type	Downlight 90°
Material	AC: AirCoral®
Absorption capacity*	4.05 m ²
Weight	1.7 Kg
Mounting	Ceiling recessed
IP rating	IP40
Control gear	-
Dimensions	A: 120 mm
Cut out for plasterboard	155 x 155 mm
Lamp type	QPAR 16
Lamp wattage	50W max ·
Luminous efficacy	-
Light distribution	-
Fitting	GU10
Light Colour	-
Light Hole	90 x 90 mm
Voltage connection	220-240V · 50-60Hz
CRI	-
Emergency	-
Energy efficiency class	A

OPTIONAL

0009KIT	kit LED dimmable I bulb 6W - 220-240V
BR6162LT	Brick box



FOR FURTHER INFORMATION PLEASE CONSULT THE GENERAL CATALOGUE BUZZI & BUZZI

*The absorption capacity per m³ calculated by the American organization TCNA is parametrized for an average room of 2,7m in height and therefore expressed in m²

Buzzi & Buzzi reserves itself the faculty to change or to modify, without advance notice, the dimensions and the technical characteristics of the products indicated in this catalogue, due to operative necessities to improve the functionality or updating with law regulations.