

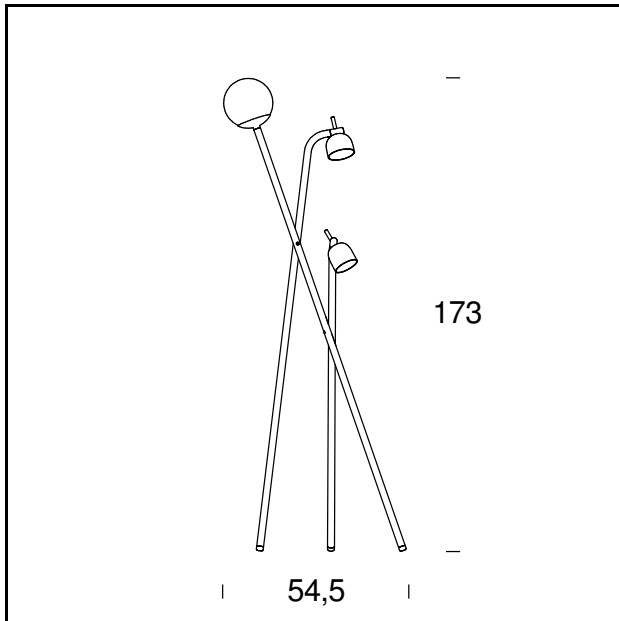
TRIPOD

Front Design, 2017

Slender, elegant and extremely long legs give this floor lamp a sense of lightness, yet also of great stability. Like the ancient Greek tripod, a symbol of hospitality, the end of each support is fitted with a Led light source with different forms and functions: the longest leg has a sphere in white frosted glass that produces a diffused ambient light, while the other two have adjustable spotlights for a direct and concentrated light. The structure is kept simple thanks to the cable organizing system, which runs inside the tubular legs. The lamp comes with black frame and brass-coated fixtures, which lend the lamp a precious elegance.



TECHNICAL SHEET



MODEL NAME: Tripod

CODE: 4398N

DIMENSIONS: 54,5 x 173

MATERIALS: Metal, brass, glass

COLORS

● Black

BULB: 1xmax 105W 230V E27 (HA, FL, LED) + 2x7W 230V GU10 (LED)

DIMMER: Dimmer included for diffused light emission

CERTIFICATIONS AND SYMBOLS:

CE IP20 Classe II


Subject to technical modifications and modifications to content