

# GALERIE

Federico Peri, 2017

The distinguishing feature of Galerie is the diffuser, which is inspired by both aesthetically and functionally by the antique oil lamps of the Belle Époque. Hand-blown in four layers of glass, where the outer and the inner layers are of two different colors, it reads as white when turned off, then as amber once lit. It is also equipped with a leather strap that allows the fixture to be hung in different positions on the structure. In the floor version, the lamp is available for two uses: a reading lamp with one diffuser, to create the ideal atmosphere for reading, and a floor lamp with three diffusers positioned at different heights, for adjustable ambient lighting. The family also includes a wall version. The combination of materials (glass, leather, metal and marble), unprecedented in a lamp, makes the Galerie family particularly rich, and at the same time elegant and balanced. Galerie expresses the memory of days gone by in a contemporary key.



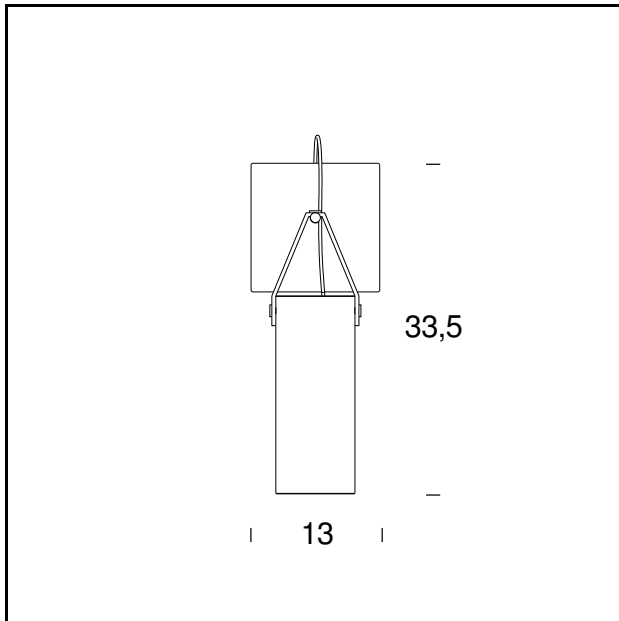
## RELATED PRODUCTS



## GALERIE

*Floor Lamp*

## TECHNICAL SHEET




**MODEL NAME:** Galerie

**CODE:** 4399QZ

**DIMENSIONS:** 13 x 13 - 17 x 33,5

**MATERIALS:** Glass, metal, marble

### COLORS

 Marble/Brushed Warm Grey

**BULB:** 8W Led (2700K, CRI>80, Lumen 1000)

**DIMMER:** Dimmable with light dimmer, not supplied

### CERTIFICATIONS AND SYMBOLS:

 IP20

Subject to technical modifications and modifications to content