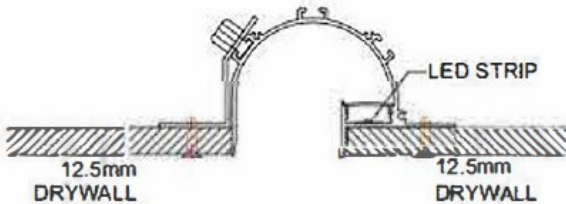
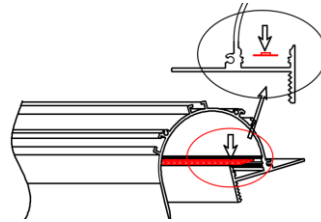


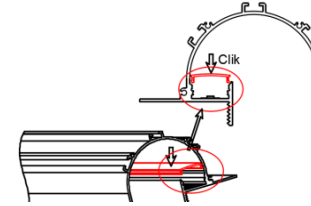
Option 1



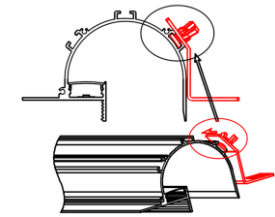
1. Stick led strip



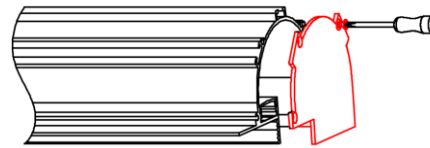
2. Push the cover inside



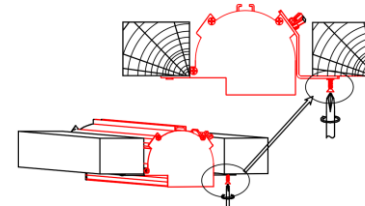
3. Fix the frame on profile



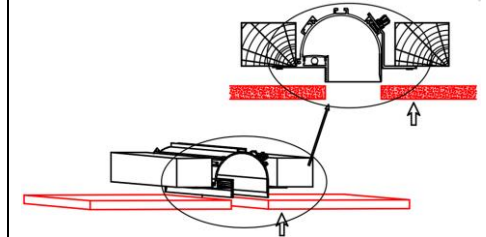
4. Fix the end cap



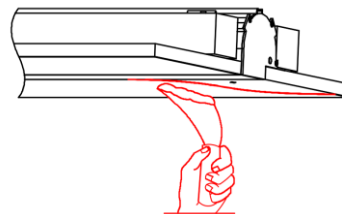
5. Fix the whole profile on wooden frame



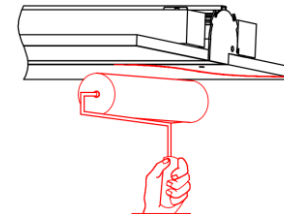
6. Install the ceiling plasterboard

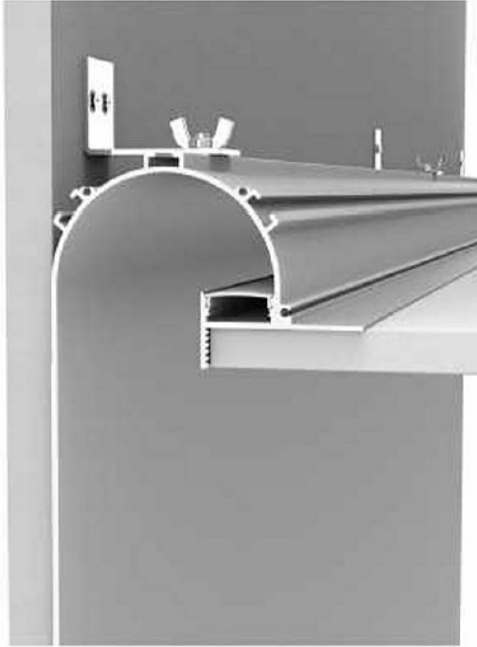


7. Paint the plaster

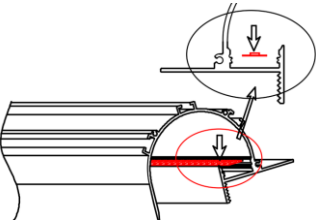
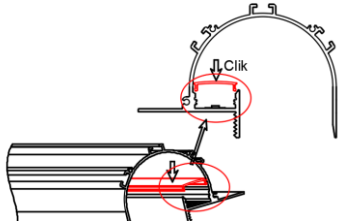
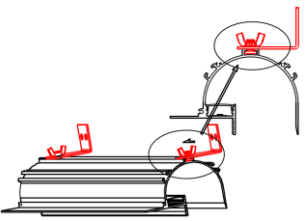
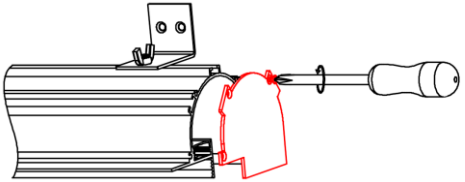
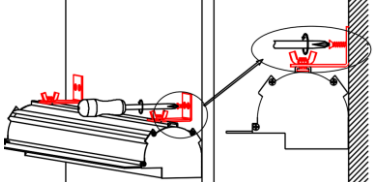
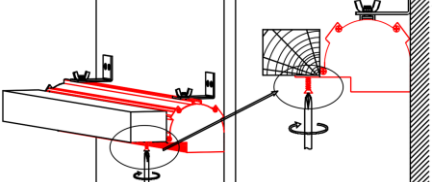
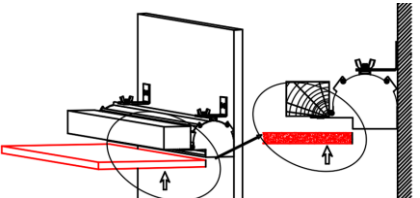
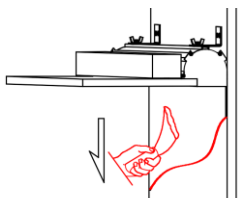
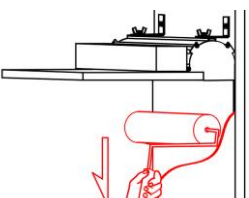


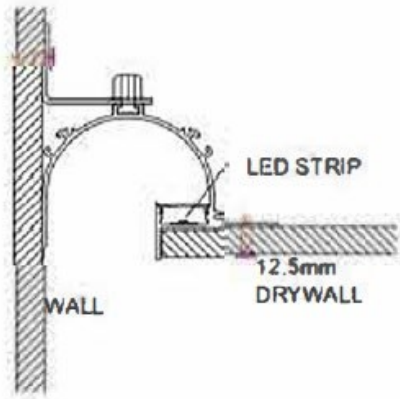
8. Paint lacquer (overcoating)





Option 2

<p>1. Stick led strip</p> 	<p>2. Push the cover inside</p> 	<p>3. Fix the frame on profile</p> 
<p>4. Fix the end cap</p> 	<p>5. Fix the whole profile on the wall</p> 	<p>6. Fix the whole profile on wooden frame</p> 
<p>7. Install the ceiling plasterboard</p> 	<p>8. Paint the plaster</p> 	<p>9. Paint lacquer(overcoating)</p> 



AIR EXTRACTION COUPLING (OPTIONAL) INSTALLATION INSTRUCTIONS

