



### Description

Dress Me S 30 applique is an indoor lighting fixture, for wall installation. Consists of an aluminum body, a snoot aluminum terminal and a fixing component. The wall installation is done by means of its special fixing plate, for applications on plasterboard or brick. Remote power supply or on board.

### General specifications

tipo di installazione | *mounting type*  
materiali | *materials*  
finiture | *finishes*

parete | *wall*  
alluminio, PMMA | *aluminum, PMMA*  
bianco opaco RAL 9010, nero opaco RAL 9005, oro, bronzo, rame, brunito, corten, ottone spazzolato, custom | *matt white RAL 9010, matt black RAL 9005, gold, bronze, copper, burnished, corten, brushed brass, custom*

dimensioni | *overall dimensions*  
peso | *weight*  
grado di protezione IP | *IP rating*  
note sul prodotto | *product notes*

Ø32x80x73mm  
-  
IP40  
-

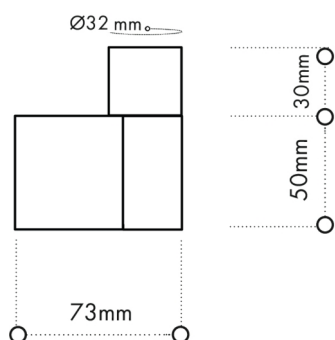
### Electrical specifications

gruppo di alimentazione | *power supply unit*  
alimentazione | *power supply*

non incluso | *not included*  
corrente costante, 50/60Hz | *constant current, 50/60Hz*

tensione operativa LED | *LED operating voltage*  
dimmerazione | *dimming*  
classe di isolamento | *insulation class*

11,2Vdc  
su richiesta | *on demand*  
III



### Light source

© 4000K, Ta = 25°, Tj = 25°

lampada | *lamp*  
temperatura di colore | *colour temperature*  
indice di resa cromatica | *colour rendering index*  
vita media | *average life*  
consistenza cromatica | *colour consistency*

LED ad alta potenza | *high power LED*  
2700 - 3000 - 4000K  
≥90  
50000h L80 B10  
2 SDCM

I (mA)	Ø (lm)	P (W)	light efficiency (lm/W)
350	489	4	122
500	664	6	111

### Optical group

diffusore | *diffuser*

poli carbonato trasparente, PMMA | *transparent polycarbonate PMMA*

riflettore | *reflector*

poli carbonato metallizzato speculare | *polished metallized polycarbonate*





### Description

*Dress Me S 90 applique is an indoor lighting fixture, for wall installation. Consists of an aluminum body, a snoot aluminum terminal and a fixing component. The wall installation is done by means of its special fixing plate, for applications on plasterboard or brick. Remote power supply or on board.*

### General specifications

tipo di installazione | *mounting type*  
materiali | *materials*  
finiture | *finishes*

parete | *wall*  
alluminio, PMMA | *aluminum, PMMA*  
bianco opaco RAL 9010, nero opaco RAL 9005, oro, bronzo, rame, brunito, corten, ottone spazzolato, custom | *matt white RAL 9010, smatt black RAL 9005, gold, bronze, copper, burnished, corten, brushed brass, custom*

dimensioni | *overall dimensions*  
peso | *weight*  
grado di protezione IP | *IP rating*  
note sul prodotto | *product notes*

Ø32x140x73mm  
-  
IP40  
-

### Electrical specifications

gruppo di alimentazione | *power supply unit*  
alimentazione | *power supply*

non incluso | *not included*  
corrente costante, 50/60Hz | *constant current, 50/60Hz*

tensione operativa LED | *LED operating voltage*  
dimmerazione | *dimming*  
classe di isolamento | *insulation class*

11,2Vdc  
su richiesta | *on demand*  
III

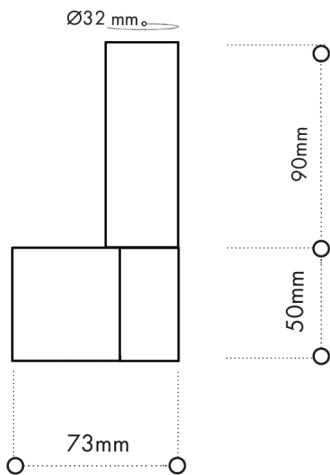
### Light source

@ 4000K, Ta = 25°, Tj = 25°

lampada | *lamp*  
temperatura di colore | *colour temperature*  
indice di resa cromatica | *colour rendering index*  
vita media | *average life*  
consistenza cromatica | *colour consistency*

LED ad alta potenza | *high power LED*  
2700 - 3000 - 4000K  
≥90  
50000h L80 B10  
2 SDCM

I (mA)	Ø (lm)	P (W)	light efficiency (lm/W)
350	489	4	122
500	664	6	111



### Optical group

diffusore | *diffuser*

polycarbonato trasparente, PMMA | *transparent polycarbonate PMMA*

riflettore | *reflector*

polycarbonato metallizzato speculare | *polished metallized polycarbonate*





### Description

Dress Me S 180 applique is an indoor lighting fixture, for wall installation. Consists of an aluminum body, a snoot aluminum terminal and a fixing component. The wall installation is done by means of its special fixing plate, for applications on plasterboard or brick. Remote power supply or on board.

### General specifications

tipo di installazione | *mounting type*  
materiali | *materials*  
finiture | *finishes*

parete | *wall*  
alluminio, PMMA | *aluminum, PMMA*  
bianco opaco RAL 9010, nero opaco RAL 9005, oro, bronzo, rame, brunito, corten, ottone spazzolato, custom | *mat white RAL 9010, matt black RAL 9005, gold, bronze, copper, burnished, corten, brushed brass, custom*

dimensioni | *overall dimensions*  
peso | *weight*  
grado di protezione IP | *IP rating*  
note sul prodotto | *product notes*

Ø32x230x73mm  
-  
IP40  
-

### Electrical specifications

gruppo di alimentazione | *power supply unit*  
alimentazione | *power supply*

non incluso | *not included*  
corrente costante, 50/60Hz | *constant current, 50/60Hz*  
11,2Vdc  
su richiesta | *on demand*  
III

tensione operativa LED | *LED operating voltage*  
dimmerazione | *dimming*  
classe di isolamento | *insulation class*

### Light source

@ 4000K, Ta = 25°, Tj = 25°

lampada | *lamp*  
temperatura di colore | *colour temperature*  
indice di resa cromatica | *colour rendering index*  
vita media | *average life*  
consistenza cromatica | *colour consistency*

LED ad alta potenza | *high power LED*  
2700 - 3000 - 4000K  
≥90  
50000h L80 B10  
2 SDCM

I (mA)	Ø (lm)	P (W)	light efficiency (lm/W)
350	489	4	122
500	664	6	111

### Optical group

diffusore | *diffuser*

policarbonato trasparente, PMMA | *transparent polycarbonate PMMA*

riflettore | *reflector*

policarbonato metallizzato speculare | *polished metallized polycarbonate*

