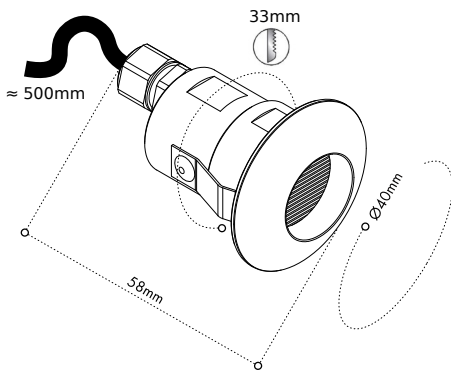


Description

IP65 outdoor recessed wall luminaire. It consists of an aluminum body and a partially projecting frame in anodized and painted aluminium, available in a circular or square version. Inside, the optical group is made up of a TIR collimator and a ribbed plate that deflects the primary beam, directing it towards the floor. Anchoring to the formwork occurs with AISI 304 stainless steel compression springs, riveted to the main body. As standard, the product is equipped with a constant current LED board up to a maximum of 700mA; Constant voltage wiring with a 24Vdc card is also available on request. Both solutions deliver a maximum power of 2W.

C.C. version  
(With round frame)



General specifications

tipo di installazione | mounting type  
materiali | materials

finiture | finishes

dimensioni | overall dimensions

peso | weight  
grado di protezione IP | IP rating  
note sul prodotto | product notes

incasso a parete | wall recessed  
alluminio | aluminum; acciaio inox AISI 316 L | AISI 316L stainless steel  
bianco opaco RAL 9010, nero opaco RAL 9005, extra mirror, acciaio naturale | matt white RAL 9010, matt black RAL 9005, extra mirror, natural steel  
40x58mm (faretto), Ø30mm (foro) | 40x58mm (headlight), Ø30mm (hole)  
70g  
IP65  
-

Electrical specifications

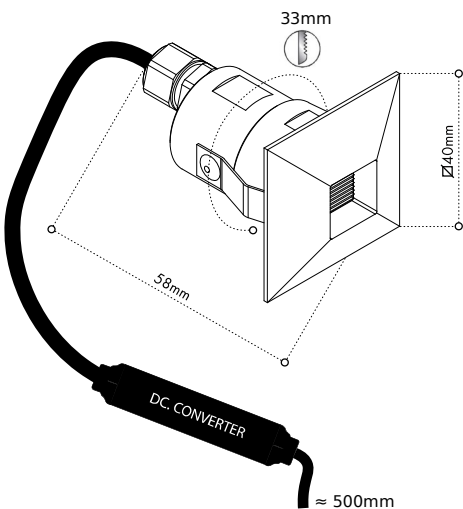
gruppo di alimentazione | power supply unit  
alimentazione (versione C.V.) | power supply (C.V. version) non incluso | not included  
tensione costante, 24V | constant voltage, 24V

tensione operativa LED | LED operating voltage 2,95Vdc

alimentazione (versione C.C.) | power supply (C.C. version) corrente costante, 700mA | constant current 700mA

tensione operativa LED | LED operating voltage 2,95Vdc  
dimmerazione | dimming su richiesta | on demand  
classe di isolamento | insulation class III

C.V. version  
(With square frame)



Light source

@ 4000K, Ta = 25°, Tj = 25°

lampada | lamp LED alta potenza | High power LED  
temperatura di colore | colour temperature 2700 - 3000 - 4000K  
indice di resa cromatica | colour rendering index ≥90  
vita media | average life 50000h L80 B10  
consistenza cromatica | colour consistency 2 SDCM

| Ø (Im) | P (W) | light efficiency (lm/W) |
|--------|-------|-------------------------|
| 257    | 2     | 128,5                   |

